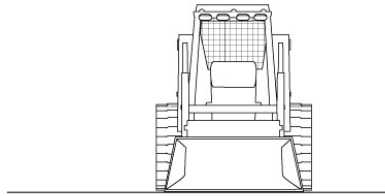
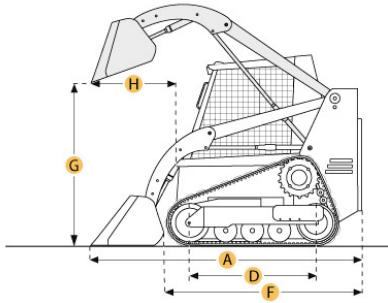


BOBCAT T300 MULTI TERRAIN LOADER

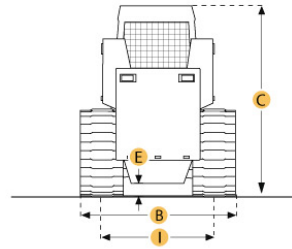


Dimensions

A. LENGTH W/ BUCKET	11.9 ft in	3630 mm
B. WIDTH OVER TRACKS	6.5 ft in	1981 mm
C. HEIGHT TO TOP OF CAB	6.7 ft in	2055 mm
F. LENGTH W/O BUCKET	9.6 ft in	2918 mm
G. CLEARANCE AT MAX LIFT AND DUMP	8.3 ft in	2517 mm
H. REACH AT MAX LIFT AND DUMP	2.8 ft in	859 mm

Undercarriage

D. LENGTH OF TRACK ON GROUND	5.3 ft in	1618 mm
I. TRACK GAUGE	5 ft in	1532 mm



BOBCAT T300 MULTI TERRAIN LOADER

Specification

Engine		
MAKE	Kubota	
MODEL	V3300TE	
GROSS POWER	81 hp	60.4 kw
POWER MEASURED @	2400 rpm	
NUMBER OF CYLINDERS	4	
DISPLACEMENT	201.4 cu in	3.3 L
ASPIRATION	turbocharged	
Operational		
OPERATING WEIGHT	9702 lb	4400.8 kg
FUEL CAPACITY	30 gal	113.6 L
MAX SPEED - HIGH RANGE	6.6 mph	10.6 km/h
Undercarriage		
GROUND PRESSURE	4.2 psi	29 kPa
NUMBER OF TRACK ROLLERS PER SIDE	5	
LENGTH OF TRACK ON GROUND	5.3 ft in	1618 mm
WIDTH OF TRACK	17.7 in	450 mm
TRACK GAUGE	5 ft in	1532 mm
Loader		
OPERATING LOAD	3000 lb	1360.8 kg
TIPPING LOAD	9208 lb	4176.7 kg
BUCKET CAPACITY	0.52 yd ³	0.4 m ³
Hydraulic		
PUMP FLOW	21.2 gal/min	80.3 L/min
RELIEF VALVE PRESSURE	3300 psi	22752.7 kPa
Dimensions		
WIDTH OVER TRACKS	6.5 ft in	1981 mm
LENGTH W/ BUCKET	11.9 ft in	3630 mm
LENGTH W/O BUCKET	9.6 ft in	2918 mm
HEIGHT TO TOP OF CAB	6.7 ft in	2055 mm
CLEARANCE AT MAX LIFT AND DUMP	8.3 ft in	2517 mm
REACH AT MAX LIFT AND DUMP	2.8 ft in	859 mm
TURNING RADIUS FROM CENTER - INC BUCKET	84.2 in	2139 mm