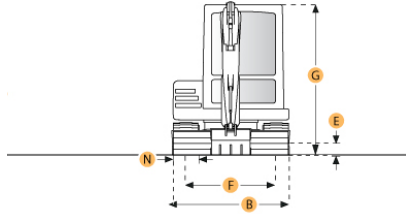
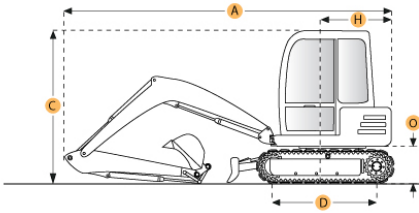


BOBCAT 435 STANDARD ARM MIDI EXCAVATOR



Boom/Stick Option (HEX) 1

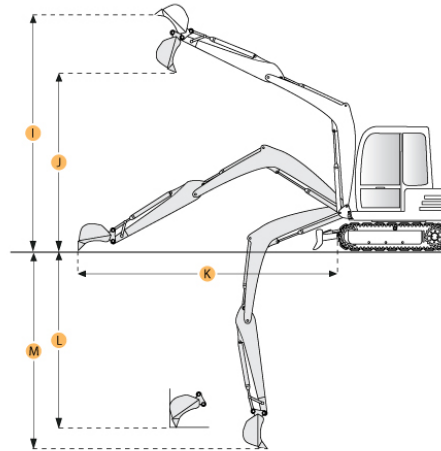
A. SHIPPING LENGTH OF UNIT	17.2 ft in	5236.5 mm
C. SHIPPING HEIGHT OF UNIT	8.3 ft in	2542 mm
I. MAX CUTTING HEIGHT	17.5 ft in	5346 mm
J. MAX LOADING HEIGHT	12 ft in	3649 mm
K. MAX REACH ALONG GROUND	18.4 ft in	5611 mm
L. MAX VERTICAL WALL DIGGING DEPTH	8.4 ft in	2568 mm
M. MAX DIGGING DEPTH	11.2 ft in	3420 mm

Dimensions

B. WIDTH TO OUTSIDE OF TRACKS	6.3 ft in	1930 mm
D. LENGTH OF TRACK ON GROUND	6.3 ft in	1932 mm
G. HEIGHT TO TOP OF CAB	8.3 ft in	2541 mm

Undercarriage

N. SHOE SIZE	15.7 in	400 mm
--------------	---------	--------



BOBCAT 435 STANDARD ARM MIDI EXCAVATOR

Specification

Engine		
MAKE	Kubota	
MODEL	V2003-M-DITE2B-BC1	
GROSS POWER	49 hp	36.5 kw
POWER MEASURED @	2500 rpm	
DISPLACEMENT	122 cu in	2 L
ASPIRATION	turbo	
NUMBER OF CYLINDERS	4	
Operational		
OPERATING WEIGHT	10555.7 lb	4788 kg
HYDRAULIC PUMP FLOW CAPACITY	29.7 gal/min	112.5 L/min
Swing Mechanism		
SWING SPEED	9.6 rpm	
Undercarriage		
SHOE SIZE	15.7 in	400 mm
GROUND PRESSURE	4.1 psi	28.1 kPa
MAX TRAVEL SPEED	5.4 mph	8.7 km/h
Boom/Stick Option (HEX) 1		
BOOM/STICK OPTION (HEX) 1	Standard Arm	
SHIPPING HEIGHT OF UNIT	8.3 ft in	2542 mm
SHIPPING LENGTH OF UNIT	17.2 ft in	5236.5 mm
MAX DIGGING DEPTH	11.2 ft in	3420 mm
MAX REACH ALONG GROUND	18.4 ft in	5611 mm
MAX CUTTING HEIGHT	17.5 ft in	5346 mm
MAX LOADING HEIGHT	12 ft in	3649 mm
MAX VERTICAL WALL DIGGING DEPTH	8.4 ft in	2568 mm
Dimensions		
WIDTH TO OUTSIDE OF TRACKS	6.3 ft in	1930 mm
HEIGHT TO TOP OF CAB	8.3 ft in	2541 mm
LENGTH OF TRACK ON GROUND	6.3 ft in	1932 mm