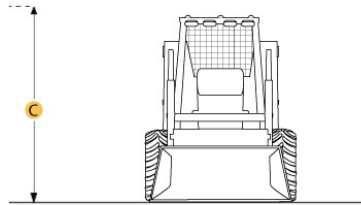
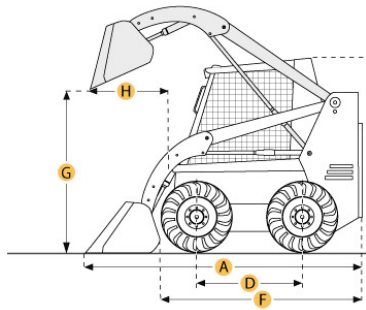
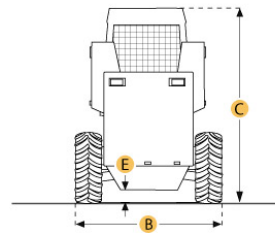


BOBCAT S150 SKID STEER LOADER



Dimensions

A. LENGTH WITH BUCKET	10.9 ft in	3310 mm
B. WIDTH OVER TIRES	5.5 ft in	1676 mm
C. HEIGHT TO TOP OF CAB	6.4 ft in	1938 mm
D. WHEELBASE	3.4 ft in	1030 mm
E. GROUND CLEARANCE	7.5 in	191 mm
F. LENGTH W/O BUCKET	8.5 ft in	2588 mm
G. CLEARANCE AT MAX LIFT AND DUMP	7.2 ft in	2197 mm
H. REACH AT MAX LIFT AND DUMP	18.1 in	461 mm



BOBCAT S150 SKID STEER LOADER

Specification

Engine		
MAKE	Kubota	
MODEL	V2203-M-DI-E2B-BC-3	
GROSS POWER	46 hp	34.3 kw
POWER MEASURED @	2800 rpm	
DISPLACEMENT	134.3 cu in	2.2 L
NUMBER OF CYLINDERS	4	
Operational		
OPERATIONAL WEIGHT	5935 lb	2692.1 kg
FUEL CAPACITY	24 gal	91 L
OPERATING SPEED	7.3 mph	11.7 km/h
MAX SPEED	7.3 mph	11.7 km/h
Loader		
OPERATING LOAD RATING	1500 lb	680.4 kg
TIPPING LOAD	3101 lb	1406.6 kg
BUCKET CAPACITY	0.41 yd ³	0.31 m ³
Hydraulic		
PUMP FLOW CAPACITY	16.9 gal/min	64 L/min
RELIEF VALVE PRESSURE	3300 psi	22752.7 kPa
Dimensions		
LENGTH WITH BUCKET	10.9 ft in	3310 mm
LENGTH W/O BUCKET	8.5 ft in	2588 mm
WIDTH OVER TIRES	5.5 ft in	1676 mm
HEIGHT TO TOP OF CAB	6.4 ft in	1938 mm
CLEARANCE AT MAX LIFT AND DUMP	7.2 ft in	2197 mm
WHEELBASE	3.4 ft in	1030 mm
GROUND CLEARANCE	7.5 in	191 mm
REACH AT MAX LIFT AND DUMP	18.1 in	461 mm
TURNING RADIUS FROM CENTER - MACHINE REAR	82.4 in	2093 mm

