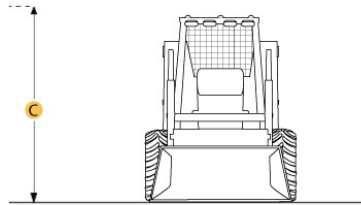
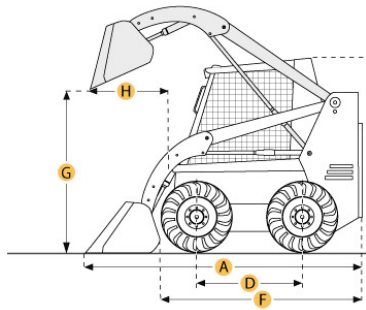
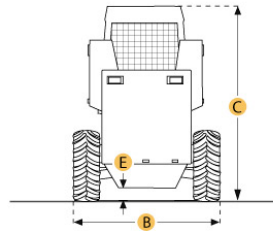


BOBCAT S175 SKID STEER LOADER



Dimensions

| | | |
|-----------------------------------|------------|----------|
| A. LENGTH WITH BUCKET | 10.9 ft in | 3310 mm |
| B. WIDTH OVER TIRES | 5.5 ft in | 1676 mm |
| C. HEIGHT TO TOP OF CAB | 6.4 ft in | 1938 mm |
| D. WHEELBASE | 3.4 ft in | 1030 mm |
| F. LENGTH W/O BUCKET | 8.5 ft in | 2588 mm |
| G. CLEARANCE AT MAX LIFT AND DUMP | 7.6 ft in | 2310 mm |
| H. REACH AT MAX LIFT AND DUMP | 29.6 in | 751.8 mm |



BOBCAT S175 SKID STEER LOADER

Specification

| Engine | | |
|---|--------------|-------------|
| MODEL | V2203-M-DI | |
| GROSS POWER | 46 hp | 34.3 kw |
| Operational | | |
| OPERATIONAL WEIGHT | 6220 lb | 2821.3 kg |
| FUEL CAPACITY | 24 gal | 91 L |
| OPERATING SPEED | 7.3 mph | 11.7 km/h |
| MAX SPEED | 11.1 mph | 17.9 km/h |
| Loader | | |
| OPERATING LOAD RATING | 1750 lb | 793.8 kg |
| TIPPING LOAD | 4076 lb | 1848.8 kg |
| Hydraulic | | |
| PUMP FLOW CAPACITY | 16.9 gal/min | 64 L/min |
| RELIEF VALVE PRESSURE | 3300 psi | 22752.7 kPa |
| Dimensions | | |
| LENGTH WITH BUCKET | 10.9 ft in | 3310 mm |
| LENGTH W/O BUCKET | 8.5 ft in | 2588 mm |
| WIDTH OVER TIRES | 5.5 ft in | 1676 mm |
| HEIGHT TO TOP OF CAB | 6.4 ft in | 1938 mm |
| CLEARANCE AT MAX LIFT AND DUMP | 7.6 ft in | 2310 mm |
| WHEELBASE | 3.4 ft in | 1030 mm |
| REACH AT MAX LIFT AND DUMP | 29.6 in | 751.8 mm |
| TURNING RADIUS FROM CENTER - MACHINE REAR | 78.8 in | 2001.5 mm |

