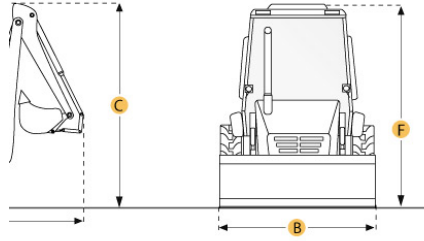
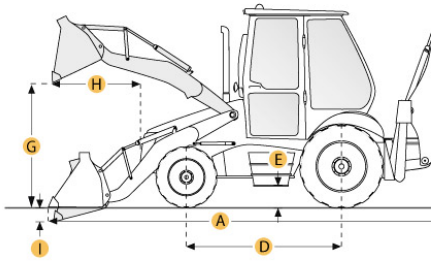


CASE 580 SUPER M LOADER BACKHOE



Backhoe

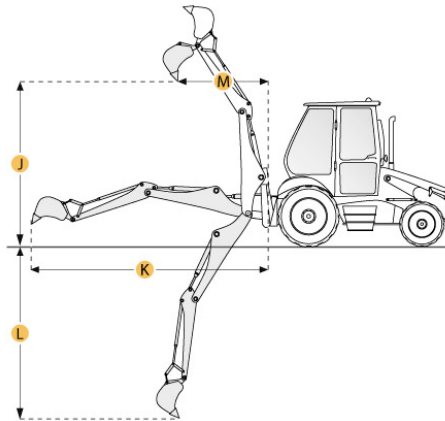
J. LOAD HEIGHT - STD	11.2 ft in	3400 mm
K. REACH FROM SWIVEL - STD	18.1 ft in	5510 mm
L. DIG DEPTH - STD	14.4 ft in	4390 mm
M. REACH AT LOAD HEIGHT - STD	8.8 ft in	2670 mm

Dimensions

A. TRANSPORT LENGTH	22.8 ft in	6950 mm
B. TRANSPORT WIDTH	7.2 ft in	2180 mm
C. TRANSPORT HEIGHT	13.9 ft in	4250 mm
D. WHEELBASE	7 ft in	2150 mm
E. GROUND CLEARANCE	1.2 ft in	371 mm
F. HEIGHT TO TOP OF CAB	8.8 ft in	2690 mm

Loader

G. CLEARANCE AT MAX DUMP HEIGHT	8.8 ft in	2690 mm
H. REACH AT MAX DUMP HEIGHT	2.5 ft in	763 mm
I. DIG DEPTH	5.9 in	149 mm



CASE 580 SUPER M LOADER BACKHOE

Specification

Engine		
MAKE	Case	
MODEL	Family III 445T/M2, Tier II certified	
NET POWER	90 hp	67 kw
GROSS POWER	95 hp	71 kw
DISPLACEMENT	272 cu in	4.5 L
POWER MEASURED @	2200 rpm	
TORQUE MEASURED @	1500 rpm	
NUMBER OF CYLINDERS	4	
NET TORQUE RISE	29 %	
NET MAX TORQUE	289 lb ft	392 Nm
ASPIRATION	turbocharged	
Operational		
OPERATING WEIGHT 2WD	14285 lb	6480 kg
MAX WEIGHT	17545 lb	7958 kg
FUEL CAPACITY	31.4 gal	119 L
HYDRAULIC SYSTEM FLUID CAPACITY	31.5 gal	119 L
OIL SYSTEM FLUID CAPACITY	3.6 gal	13.6 L
COOLING SYSTEM FLUID CAPACITY	4.8 gal	18 L
TRANSMISSION FLUID CAPACITY	5.5 gal	20.8 L
FRONT AXLE FLUID CAPACITY	1.5 gal	5.5 L
REAR AXLE FLUID CAPACITY	3.8 gal	14.2 L
TURNING RADIUS	11 ft in	3350 mm
TIRE SIZE FRONT - 2WD / 4WD	11Lx16.1/12x16.5	
REAR TIRES SIZE 2WD/4WD	17.5Lx24/19.5x24	
OPERATING VOLTAGE	12 V	
ALTERNATOR SUPPLIED AMPERAGE	90 amps	
Transmission		
TYPE	4-speed synchromesh with hydraulically actuated clutches	
NUMBER OF FORWARD GEARS	4	
NUMBER OF REVERSE GEARS	4	
MAX SPEED - FORWARD	25.5 mph	41 km/h
MAX SPEED REVERSE	30.8 mph	49.6 km/h
Backhoe		
DIG DEPTH - STD	14.4 ft in	4390 mm
DIG DEPTH - EXT	18.3 ft in	5560 mm
REACH FROM SWIVEL - STD	18.1 ft in	5510 mm
REACH FROM SWIVEL - EXT	21.8 ft in	6650 mm
BUCKET DIG FORCE - STD	12821 lb	0 kg
BUCKET DIG FORCE - EXT	12821 lb	0 kg
LOAD AT MAX LIFT - STD	2750 lb	1247 kg
LOAD AT MAX LIFT - EXT	1350 lb	612 kg
LOAD HEIGHT - STD	11.2 ft in	3400 mm
LOAD HEIGHT - EXT	13.3 ft in	4040 mm
REACH AT LOAD HEIGHT - STD	8.8 ft in	2670 mm
REACH AT LOAD HEIGHT - EXT	11.5 ft in	3500 mm
Loader		
BUCKET CAPACITY	0.87 yd ³	0.67 m ³
BUCKET WIDTH	82 in	2080 mm
BUCKET BREAKOUT FORCE	9164 lb	40.8 kN
LIFT CAPACITY AT FULL HEIGHT	6182 lb	2804 kg
CLEARANCE AT MAX DUMP HEIGHT	8.8 ft in	2690 mm
REACH AT MAX DUMP HEIGHT	2.5 ft in	763 mm
DIG DEPTH	5.9 in	149 mm
Hydraulic		
PUMP TYPE	gear-type, transmission driven	
PUMP FLOW CAPACITY	28.5 gal/min	108 L/min
RELIEF VALVE PRESSURE	3050 psi	0 kPa
Dimensions		
TRANSPORT LENGTH	22.8 ft in	6950 mm
TRANSPORT WIDTH	7.2 ft in	2180 mm
TRANSPORT HEIGHT	13.9 ft in	4250 mm
HEIGHT TO TOP OF CAB	8.8 ft in	2690 mm
WHEELBASE	7 ft in	2150 mm
GROUND CLEARANCE	1.2 ft in	371 mm