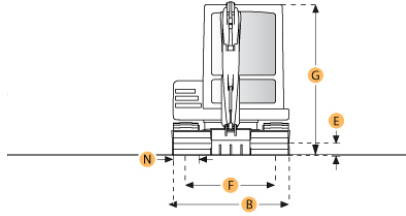
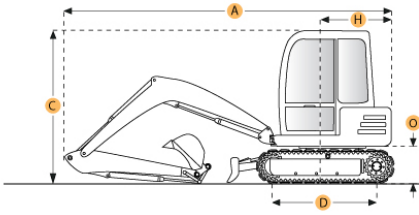


CASE CX36 MINI EXCAVATOR



Boom/Stick Option (HEX) 1

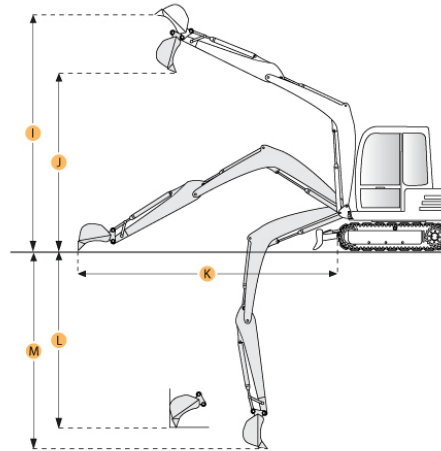
A. SHIPPING LENGTH OF UNIT	15.5 ft in	4720 mm
C. SHIPPING HEIGHT OF UNIT	8.2 ft in	2510 mm
I. MAX CUTTING HEIGHT	14.9 ft in	4530 mm
J. MAX LOADING HEIGHT	10.6 ft in	3220 mm
K. MAX REACH ALONG GROUND	16.6 ft in	5060 mm
L. MAX VERTICAL WALL DIGGING DEPTH	7.6 ft in	2320 mm
M. MAX DIGGING DEPTH	10.2 ft in	3100 mm

Dimensions

B. WIDTH TO OUTSIDE OF TRACKS	5.6 ft in	1700 mm
D. LENGTH OF TRACK ON GROUND	5.6 ft in	1700 mm
E. GROUND CLEARANCE	1 ft in	320 mm
G. HEIGHT TO TOP OF CAB	8.2 ft in	2510 mm
H. TAIL SWING RADIUS	2.8 ft in	850 mm
O. COUNTERWEIGHT CLEARANCE	1.9 ft in	570 mm

Undercarriage

N. SHOE SIZE	11.8 in	299.7 mm
--------------	---------	----------



CASE CX36 MINI EXCAVATOR

Specification

Engine		
MAKE	Yanmar	
MODEL	3TNE82A	
NET POWER	23.7 hp	17.7 kw
POWER MEASURED @	2400 rpm	
DISPLACEMENT	81.1 cu in	1.3 L
TORQUE MEASURED @	1500 rpm	
MAX TORQUE	58.6 lb ft	79.5 Nm
NUMBER OF CYLINDERS	3	
Operational		
OPERATING WEIGHT	7738 lb	3509.9 kg
FUEL CAPACITY	0.97 gal	3.7 L
COOLING SYSTEM FLUID CAPACITY	0.71 gal	2.7 L
HYDRAULIC SYSTEM FLUID CAPACITY	12.7 gal	48 L
ENGINE OIL CAPACITY	0.98 gal	3.7 L
OPERATING VOLTAGE	12 V	
ALTERNATOR SUPPLIED AMPERAGE	24 amps	
HYDRAULIC SYSTEM RELIEF VALVE PRESSURE	3277 psi	156.9 kPa
HYDRAULIC PUMP FLOW CAPACITY	18.4 gal/min	69.6 L/min
Swing Mechanism		
SWING SPEED	8.6 rpm	
Undercarriage		
SHOE SIZE	11.8 in	299.7 mm
NUMBER OF CARRIER ROLLERS PER SIDE	1	
NUMBER OF TRACK ROLLERS PER SIDE	4	
GROUND PRESSURE	4.5 psi	31 kPa
MAX TRAVEL SPEED	2.8 mph	4.5 km/h
Buckets		
REFERENCE BUCKET CAPACITY	0.16 yd ³	0.12 m ³
MINIMUM BUCKET CAPACITY	0.08 yd ³	0.06 m ³
MAXIMUM BUCKET CAPACITY	0.24 yd ³	0.19 m ³
Boom/Stick Option (HEX) 1		
BOOM/STICK OPTION (HEX) 1	Boom 8'2" (2490mm)/ Stick 4'4" (1320mm)	
SHIPPING HEIGHT OF UNIT	8.2 ft in	2510 mm
SHIPPING LENGTH OF UNIT	15.5 ft in	4720 mm
MAX DIGGING DEPTH	10.2 ft in	3100 mm
MAX REACH ALONG GROUND	16.6 ft in	5060 mm
MAX CUTTING HEIGHT	14.9 ft in	4530 mm
MAX LOADING HEIGHT	10.6 ft in	3220 mm
MAX VERTICAL WALL DIGGING DEPTH	7.6 ft in	2320 mm
Dimensions		
WIDTH TO OUTSIDE OF TRACKS	5.6 ft in	1700 mm
HEIGHT TO TOP OF CAB	8.2 ft in	2510 mm
GROUND CLEARANCE	1 ft in	320 mm
COUNTERWEIGHT CLEARANCE	1.9 ft in	570 mm
TAIL SWING RADIUS	2.8 ft in	850 mm
LENGTH OF TRACK ON GROUND	5.6 ft in	1700 mm