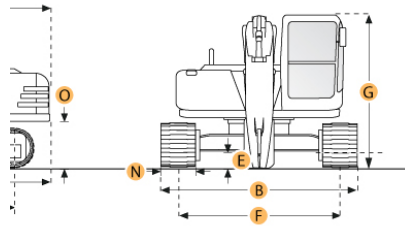
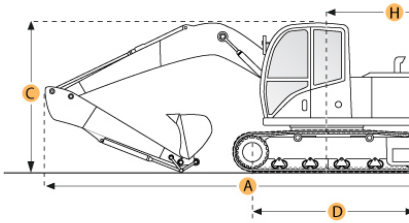


## CATERPILLAR 336D L HYDRAULIC EXCAVATOR



### Boom/Stick Option

Boom/Stick Option (HEX) 1 ▾

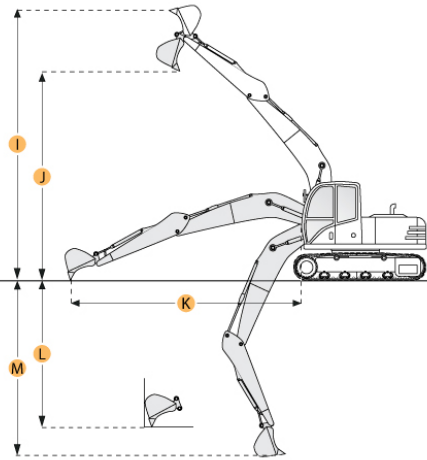
A. SHIPPING LENGTH OF UNIT	36.7 ft in	11200 mm
C. SHIPPING HEIGHT OF UNIT	11.9 ft in	3630 mm
I. MAX CUTTING HEIGHT	35.3 ft in	10749 mm
J. MAX LOADING HEIGHT	24.7 ft in	7542 mm
K. MAX REACH ALONG GROUND	38.4 ft in	11714 mm
L. MAX VERTICAL WALL DIGGING DEPTH	23.5 ft in	7152 mm
M. MAX DIGGING DEPTH	26.9 ft in	8185 mm

### Dimensions

B. WIDTH TO OUTSIDE OF TRACKS	11.1 ft in	3390 mm
D. LENGTH OF TRACK ON GROUND	13.3 ft in	4040 mm
E. GROUND CLEARANCE	1.5 ft in	450 mm
G. HEIGHT TO TOP OF CAB	10.3 ft in	3140 mm
H. TAIL SWING RADIUS	11.5 ft in	3500 mm
O. COUNTERWEIGHT CLEARANCE	4 ft in	1220 mm

### Undercarriage

F. TRACK GAUGE	8.5 ft in	2590 mm
N. SHOE SIZE	31.5 in	800 mm



## CATERPILLAR 336D L HYDRAULIC EXCAVATOR

### Specification

<b>Engine</b>		
MAKE	Caterpillar	
MODEL	C9	
NET POWER	266 hp	198.4 kw
DISPLACEMENT	537 cu in	8.8 L
<b>Operational</b>		
OPERATING WEIGHT	67236.6 lb	30498 kg
FUEL CAPACITY	163.8 gal	620 L
COOLING SYSTEM FLUID CAPACITY	10.6 gal	40 L
HYDRAULIC SYSTEM FLUID CAPACITY	108.3 gal	410 L
ENGINE OIL CAPACITY	10.6 gal	40 L
SWING DRIVE FLUID CAPACITY	5 gal	19 L
HYDRAULIC SYSTEM RELIEF VALVE PRESSURE	5076 psi	34997.8 kPa
HYDRAULIC PUMP FLOW CAPACITY	74 gal/min	280.1 L/min
<b>Swing Mechanism</b>		
SWING SPEED	10 rpm	
SWING TORQUE	80.1 lb ft	108.7 Nm
<b>Undercarriage</b>		
SHOE SIZE	31.5 in	800 mm
MAX TRAVEL SPEED	3.1 mph	5 km/h
DRAWBAR PULL	67442.7 lb	300 kN
TRACK GAUGE	8.5 ft in	2590 mm
<b>Buckets</b>		
REFERENCE BUCKET CAPACITY	1.6 yd3	1.2 m3
MINIMUM BUCKET CAPACITY	1.2 yd3	0.94 m3
MAXIMUM BUCKET CAPACITY	3.3 yd3	2.6 m3
<b>Boom/Stick Option (HEX) 1</b>		
BOOM/STICK OPTION (HEX) 1	Boom 6500mm (21' 4") / Stick 12' 10"	
SHIPPING HEIGHT OF UNIT	11.9 ft in	3630 mm
SHIPPING LENGTH OF UNIT	36.7 ft in	11200 mm
MAX DIGGING DEPTH	26.9 ft in	8185 mm
MAX REACH ALONG GROUND	38.4 ft in	11714 mm
MAX CUTTING HEIGHT	35.3 ft in	10749 mm
MAX LOADING HEIGHT	24.7 ft in	7542 mm
MAX VERTICAL WALL DIGGING DEPTH	23.5 ft in	7152 mm
<b>Boom/Stick Option (HEX) 2</b>		
BOOM/STICK OPTION (HEX) 2	Boom 6500mm (21' 4") / Stick 10' 6"	
SHIPPING HEIGHT OF UNIT	11 ft in	3350 mm
SHIPPING LENGTH OF UNIT	36.6 ft in	11150 mm
MAX DIGGING DEPTH	24.6 ft in	7485 mm
MAX REACH ALONG GROUND	36.1 ft in	11007 mm
MAX CUTTING HEIGHT	33.7 ft in	10272 mm
MAX LOADING HEIGHT	23.3 ft in	7108 mm
MAX VERTICAL WALL DIGGING DEPTH	20.1 ft in	6131 mm
<b>Boom/Stick Option (HEX) 3</b>		
BOOM/STICK OPTION (HEX) 3	Boom 6180mm (20' 3") / Stick 8' 4"	
SHIPPING HEIGHT OF UNIT	11.7 ft in	3580 mm
SHIPPING LENGTH OF UNIT	35.8 ft in	10910 mm
MAX DIGGING DEPTH	21.8 ft in	6633 mm
MAX REACH ALONG GROUND	33.6 ft in	10242 mm
MAX CUTTING HEIGHT	32.9 ft in	10023 mm
MAX LOADING HEIGHT	21.7 ft in	6629 mm
MAX VERTICAL WALL DIGGING DEPTH	14.5 ft in	4421 mm
<b>Dimensions</b>		
WIDTH TO OUTSIDE OF TRACKS	11.1 ft in	3390 mm
HEIGHT TO TOP OF CAB	10.3 ft in	3140 mm
GROUND CLEARANCE	1.5 ft in	450 mm
COUNTERWEIGHT CLEARANCE	4 ft in	1220 mm
TAIL SWING RADIUS	11.5 ft in	3500 mm
LENGTH OF TRACK ON GROUND	13.3 ft in	4040 mm