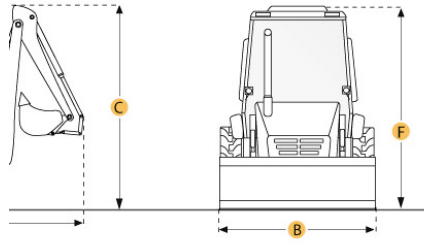
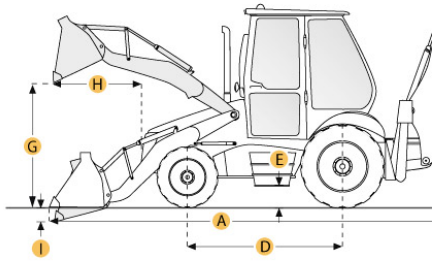


JOHN DEERE 110 TLB LOADER BACKHOE

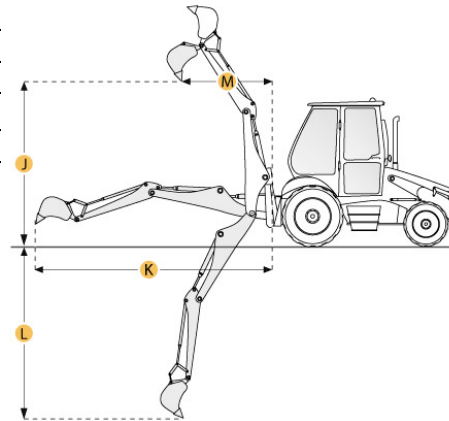


Backhoe

J. LOAD HEIGHT - STD	8.4 ft in	2567 mm
K. REACH FROM SWIVEL - STD	ft in	mm
L. DIG DEPTH - STD	10.1 ft in	3073 mm

Dimensions

D. WHEELBASE	6 ft in	1815 mm
--------------	---------	---------



JOHN DEERE 110 TLB LOADER BACKHOE

Specification

Engine		
MAKE	Yanmar	
MODEL	TNV88	
NET POWER	41 hp	30.6 kw
GROSS POWER	43 hp	32.1 kw
DISPLACEMENT	133.6 cu in	2.2 L
POWER MEASURED @	2600 rpm	
NUMBER OF CYLINDERS	4	
Operational		
MAX WEIGHT	7279.7 lb	3302 kg
FUEL CAPACITY	15.3 gal	58 L
HYDRAULIC SYSTEM FLUID CAPACITY	15.1 gal	57 L
OIL SYSTEM FLUID CAPACITY	1.3 gal	4.9 L
COOLING SYSTEM FLUID CAPACITY	2.4 gal	9 L
TRANSMISSION FLUID CAPACITY	15.1 gal	57 L
FRONT AXLE FLUID CAPACITY	1.3 gal	4.9 L
TURNING RADIUS	11.7 ft in	3568 mm
TIRE SIZE FRONT - 2WD / 4WD	10 x 16.5, 8 PR	
REAR TIRES SIZE 2WD/4WD	17.5L x 24, 8 PR	
OPERATING VOLTAGE	12 V	
ALTERNATOR SUPPLIED AMPERAGE	55 amps	
Transmission		
TYPE		
Backhoe		
DIG DEPTH - STD	10.1 ft in	3073 mm
REACH FROM SWIVEL - STD	ft in	mm
LOAD HEIGHT - STD	8.4 ft in	2567 mm
Loader		
BUCKET WIDTH	72 in	1829 mm
Hydraulic		
PUMP TYPE	Open Center	
PUMP FLOW CAPACITY	23.6 gal/min	89.3 L/min
RELIEF VALVE PRESSURE	3000 psi	20684.3 kPa
Dimensions		
WHEELBASE	6 ft in	1815 mm