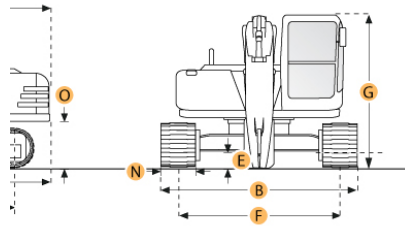
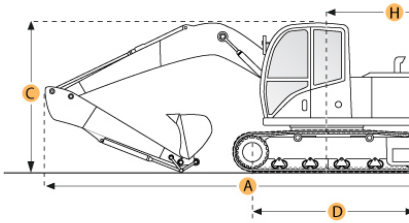
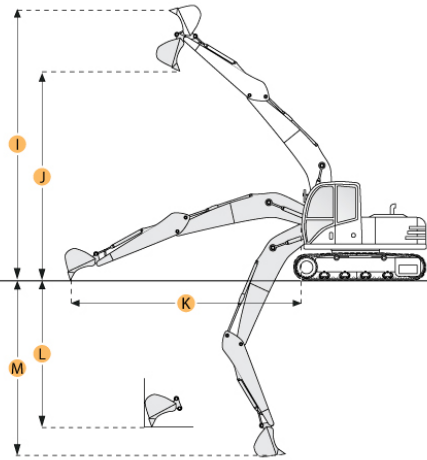


JOHN DEERE 450D LC HYDRAULIC EXCAVATOR



Boom/Stick Option	Boom/Stick Option (HEX) 1 ▾	
A. SHIPPING LENGTH OF UNIT	39.3 ft in	12000 mm
C. SHIPPING HEIGHT OF UNIT	11.8 ft in	3600 mm
I. MAX CUTTING HEIGHT	33.7 ft in	10250 mm
J. MAX LOADING HEIGHT	23.1 ft in	7030 mm
K. MAX REACH ALONG GROUND	36.7 ft in	11170 mm
L. MAX VERTICAL WALL DIGGING DEPTH	17.3 ft in	5270 mm
M. MAX DIGGING DEPTH	23.9 ft in	7280 mm
Dimensions		
B. WIDTH TO OUTSIDE OF TRACKS	12.4 ft in	3790 mm
D. LENGTH OF TRACK ON GROUND	14.7 ft in	4470 mm
E. GROUND CLEARANCE	2.3 ft in	723 mm
G. HEIGHT TO TOP OF CAB	10.9 ft in	3330 mm
H. TAIL SWING RADIUS	12 ft in	3650 mm
O. COUNTERWEIGHT CLEARANCE	4.5 ft in	1360 mm
Undercarriage		
F. TRACK GAUGE	9.5 ft in	2890 mm
N. SHOE SIZE	36 in	900 mm



JOHN DEERE 450D LC HYDRAULIC EXCAVATOR

Specification

Engine		
MAKE	Isuzu	
MODEL	AH-6WG1XYSA-01	
NET POWER	348 hp	260 kw
POWER MEASURED @	1800 rpm	
DISPLACEMENT	957 cu in	15.7 L
TORQUE MEASURED @	1500 rpm	
MAX TORQUE	1164 lb ft	1580 Nm
ASPIRATION	Turbocharged w/ cooler	
NUMBER OF CYLINDERS	6	
Operational		
OPERATING WEIGHT	106180 lb	48163 kg
FUEL CAPACITY	191.5 gal	725 L
COOLING SYSTEM FLUID CAPACITY	50.7 gal	48 L
HYDRAULIC SYSTEM FLUID CAPACITY	148 gal	560 L
ENGINE OIL CAPACITY	14.8 gal	55.8 L
SWING DRIVE FLUID CAPACITY	1.3 gal	4.7 L
OPERATING VOLTAGE	24 V	
ALTERNATOR SUPPLIED AMPERAGE	50 amps	
HYDRAULIC SYSTEM RELIEF VALVE PRESSURE	4980 psi	34300 kPa
HYDRAULIC PUMP FLOW CAPACITY	200.2 gal/min	758 L/min
Swing Mechanism		
SWING SPEED	9 rpm	
SWING TORQUE	107004 lb ft	145189 Nm
Undercarriage		
NUMBER OF SHOES PER SIDE	53	
SHOE SIZE	36 in	900 mm
NUMBER OF CARRIER ROLLERS PER SIDE	3	
NUMBER OF TRACK ROLLERS PER SIDE	9	
GROUND PRESSURE	7.5 psi	51.4 kPa
MAX TRAVEL SPEED	3.4 mph	5.5 km/h
DRAWBAR PULL	79590 lb	354 kN
TRACK GAUGE	9.5 ft in	2890 mm
Buckets		
REFERENCE BUCKET CAPACITY	3.1 yd ³	2.3 m ³
MINIMUM BUCKET CAPACITY	1.8 yd ³	1.4 m ³
MAXIMUM BUCKET CAPACITY	4.2 yd ³	3.2 m ³
Boom/Stick Option (HEX) 1		
BOOM/STICK OPTION (HEX) 1	Arm Length 9' 6" (2.9 m)	
SHIPPING HEIGHT OF UNIT	11.8 ft in	3600 mm
SHIPPING LENGTH OF UNIT	39.3 ft in	12000 mm
MAX DIGGING DEPTH	23.9 ft in	7280 mm
MAX REACH ALONG GROUND	36.7 ft in	11170 mm
MAX CUTTING HEIGHT	33.7 ft in	10250 mm
MAX LOADING HEIGHT	23.1 ft in	7030 mm
MAX VERTICAL WALL DIGGING DEPTH	17.3 ft in	5270 mm
Boom/Stick Option (HEX) 2		
BOOM/STICK OPTION (HEX) 2	Mass Excavating Boom 20ft. 7in. 6.3m w/Arm 9ft.6in. 2.9m	
SHIPPING HEIGHT OF UNIT	12.3 ft in	3740 mm
SHIPPING LENGTH OF UNIT	36.8 ft in	11220 mm
MAX DIGGING DEPTH	20.4 ft in	6230 mm
MAX REACH ALONG GROUND	34.8 ft in	10610 mm
MAX CUTTING HEIGHT	35.7 ft in	10880 mm
MAX LOADING HEIGHT	24.1 ft in	7330 mm
MAX VERTICAL WALL DIGGING DEPTH	16.5 ft in	5020 mm
Boom/Stick Option (HEX) 3		
BOOM/STICK OPTION (HEX) 3	Arm Length 11ft. 2in. 3.4m	
SHIPPING HEIGHT OF UNIT	11.4 ft in	3480 mm
SHIPPING LENGTH OF UNIT	39.1 ft in	11910 mm
MAX DIGGING DEPTH	25.5 ft in	7770 mm
MAX REACH ALONG GROUND	38.8 ft in	11840 mm
MAX CUTTING HEIGHT	36.3 ft in	11060 mm
MAX LOADING HEIGHT	25.1 ft in	7650 mm
MAX VERTICAL WALL DIGGING DEPTH	21.6 ft in	6590 mm
Boom/Stick Option (HEX) 4		
BOOM/STICK OPTION (HEX) 4	Arm Length 12ft. 10in. 3.9m	

SHIPPING HEIGHT OF UNIT	11.5 ft in	3500 mm
SHIPPING LENGTH OF UNIT	39.1 ft in	11910 mm
MAX DIGGING DEPTH	27.2 ft in	8270 mm
MAX REACH ALONG GROUND	40.3 ft in	12280 mm
MAX CUTTING HEIGHT	36.6 ft in	11160 mm
MAX LOADING HEIGHT	25.5 ft in	7770 mm
MAX VERTICAL WALL DIG DEPTH	22.9 ft in	6980 mm

Boom/Stick Option (HEX) 5

BOOM/STICK OPTION (HEX) 5	Arm 16' 1" (4.9 m)	
SHIPPING HEIGHT OF UNIT	14.9 ft in	4550 mm
SHIPPING LENGTH OF UNIT	39 ft in	11900 mm
MAX DIGGING DEPTH	29.9 ft in	9110 mm
MAX REACH ALONG GROUND	43.1 ft in	13140 mm
MAX CUTTING HEIGHT	38.5 ft in	11730 mm
MAX LOADING HEIGHT	28.4 ft in	8670 mm
MAX VERTICAL WALL DIG DEPTH	27.6 ft in	8420 mm

Dimensions

WIDTH TO OUTSIDE OF TRACKS	12.4 ft in	3790 mm
HEIGHT TO TOP OF CAB	10.9 ft in	3330 mm
GROUND CLEARANCE	2.3 ft in	723 mm
COUNTERWEIGHT CLEARANCE	4.5 ft in	1360 mm
TAIL SWING RADIUS	12 ft in	3650 mm
LENGTH OF TRACK ON GROUND	14.7 ft in	4470 mm