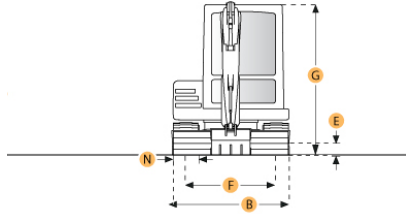
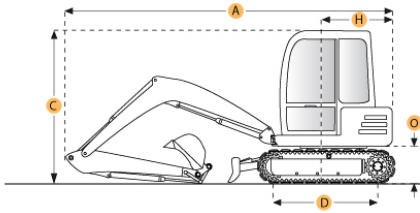
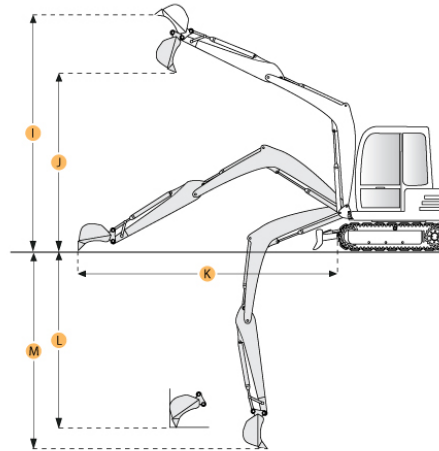


KOMATSU PC78MR-6 MIDI EXCAVATOR



Boom/Stick Option	Boom/Stick Option (HEX) 1 ▼	
A. SHIPPING LENGTH OF UNIT	20.3 ft in	6200 mm
C. SHIPPING HEIGHT OF UNIT	9 ft in	2730 mm
I. MAX CUTTING HEIGHT	21.6 ft in	6570 mm
J. MAX LOADING HEIGHT	14.8 ft in	4515 mm
K. MAX REACH ALONG GROUND	22.8 ft in	6960 mm
L. MAX VERTICAL WALL DIGGING DEPTH	9.5 ft in	2900 mm
M. MAX DIGGING DEPTH	13.6 ft in	4160 mm
Dimensions		
B. WIDTH TO OUTSIDE OF TRACKS	7.6 ft in	2320 mm
D. LENGTH OF TRACK ON GROUND	7.3 ft in	2235 mm
E. GROUND CLEARANCE	1.2 ft in	360 mm
G. HEIGHT TO TOP OF CAB	9 ft in	2730 mm
H. TAIL SWING RADIUS	4.6 ft in	1405 mm
O. COUNTERWEIGHT CLEARANCE	2.4 ft in	735 mm
Undercarriage		
F. TRACK GAUGE	6.1 ft in	1870 mm
N. SHOE SIZE	17.7 in	450 mm



KOMATSU PC78MR-6 MIDI EXCAVATOR

Specification

Engine		
MAKE	Komatsu	
MODEL	S4D95LE-3	
NET POWER	54 hp	40.3 kw
POWER MEASURED @	1850 rpm	
DISPLACEMENT	198.9 cu in	3.3 L
ASPIRATION	Turbocharged with aftercooler	
NUMBER OF CYLINDERS	4	
Operational		
OPERATING WEIGHT	18232.2 lb	8270 kg
FUEL CAPACITY	33 gal	125 L
COOLING SYSTEM FLUID CAPACITY	2.8 gal	10.5 L
HYDRAULIC SYSTEM FLUID CAPACITY	29.1 gal	110 L
ENGINE OIL CAPACITY	2 gal	7.5 L
OPERATING VOLTAGE	24 V	
ALTERNATOR SUPPLIED AMPERAGE	25 amps	
HYDRAULIC SYSTEM RELIEF VALVE PRESSURE	3840.3 psi	26477.9 kPa
HYDRAULIC PUMP FLOW CAPACITY	42.3 gal/min	160 L/min
Swing Mechanism		
SWING SPEED	10 rpm	
Undercarriage		
NUMBER OF SHOES PER SIDE	39	
SHOE SIZE	17.7 in	450 mm
NUMBER OF CARRIER ROLLERS PER SIDE	1	
NUMBER OF TRACK ROLLERS PER SIDE	5	
GROUND PRESSURE	5.4 psi	37.2 kPa
MAX TRAVEL SPEED	2.6 mph	4.2 km/h
DRAWBAR PULL	14550 lb	64.7 kN
TRACK GAUGE	6.1 ft in	1870 mm
Buckets		
REFERENCE BUCKET CAPACITY	0.37 yd3	0.28 m3
MINIMUM BUCKET CAPACITY	0.12 yd3	0.09 m3
MAXIMUM BUCKET CAPACITY	0.45 yd3	0.34 m3
Boom/Stick Option (HEX) 1		
BOOM/STICK OPTION (HEX) 1	Standard arm	
SHIPPING HEIGHT OF UNIT	9 ft in	2730 mm
SHIPPING LENGTH OF UNIT	20.3 ft in	6200 mm
MAX DIGGING DEPTH	13.6 ft in	4160 mm
MAX REACH ALONG GROUND	22.8 ft in	6960 mm
MAX CUTTING HEIGHT	21.6 ft in	6570 mm
MAX LOADING HEIGHT	14.8 ft in	4515 mm
MAX VERTICAL WALL DIGGING DEPTH	9.5 ft in	2900 mm
Boom/Stick Option (HEX) 2		
BOOM/STICK OPTION (HEX) 2	Long arm	
SHIPPING HEIGHT OF UNIT	9 ft in	2730 mm
SHIPPING LENGTH OF UNIT	20.3 ft in	6200 mm
MAX DIGGING DEPTH	15.6 ft in	4745 mm
MAX REACH ALONG GROUND	24.6 ft in	7485 mm
MAX CUTTING HEIGHT	22.3 ft in	6800 mm
MAX LOADING HEIGHT	15.6 ft in	4770 mm
MAX VERTICAL WALL DIGGING DEPTH	10.9 ft in	3310 mm
Dimensions		
WIDTH TO OUTSIDE OF TRACKS	7.6 ft in	2320 mm
HEIGHT TO TOP OF CAB	9 ft in	2730 mm
GROUND CLEARANCE	1.2 ft in	360 mm
COUNTERWEIGHT CLEARANCE	2.4 ft in	735 mm
TAIL SWING RADIUS	4.6 ft in	1405 mm
LENGTH OF TRACK ON GROUND	7.3 ft in	2235 mm