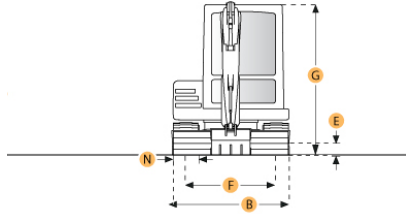
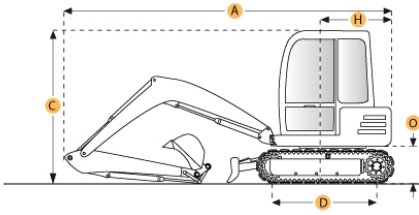


KUBOTA KX91-3 MINI EXCAVATOR

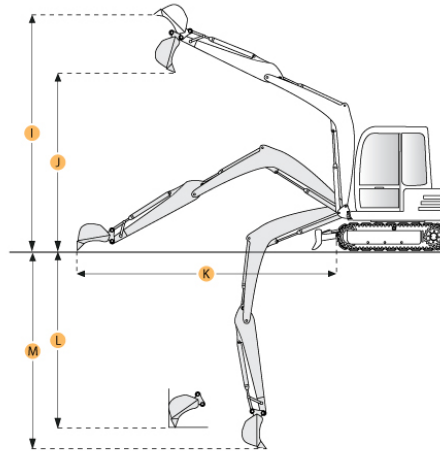


Boom/Stick Option (HEX) 1

A. SHIPPING LENGTH OF UNIT	15.6 ft in	4759.9 mm
C. SHIPPING HEIGHT OF UNIT	8 ft in	2440.9 mm
I. MAX CUTTING HEIGHT	16.3 ft in	4953 mm
J. MAX LOADING HEIGHT	11.6 ft in	3530.6 mm
K. MAX REACH ALONG GROUND	16.8 ft in	5130.8 mm
L. MAX VERTICAL WALL DIGGING DEPTH	7.8 ft in	2387.5 mm
M. MAX DIGGING DEPTH	10.4 ft in	3175 mm

Dimensions

B. WIDTH TO OUTSIDE OF TRACKS	5.1 ft in	1549.4 mm
E. GROUND CLEARANCE	0.97 ft in	294.6 mm
G. HEIGHT TO TOP OF CAB	ft in	mm



KUBOTA KX91-3 MINI EXCAVATOR

Specification

Engine		
MAKE	Kubota	
MODEL	D1503	
NET POWER	28 hp	20.9 kw
POWER MEASURED @	2300 rpm	
DISPLACEMENT	91.5 cu in	1.5 L
Operational		
OPERATING WEIGHT	7110 lb	3225 kg
FUEL CAPACITY	11.9 gal	45 L
HYDRAULIC SYSTEM FLUID CAPACITY	9.5 gal	36 L
HYDRAULIC PUMP FLOW CAPACITY	27.3 gal/min	103.3 L/min
Swing Mechanism		
SWING SPEED	9.4 rpm	
Undercarriage		
GROUND PRESSURE	4.5 psi	31 kPa
MAX TRAVEL SPEED	2.9 mph	4.7 km/h
DRAWBAR PULL	8363 lb	kN
Boom/Stick Option (HEX) 1		
SHIPPING HEIGHT OF UNIT	8 ft in	2440.9 mm
SHIPPING LENGTH OF UNIT	15.6 ft in	4759.9 mm
MAX DIGGING DEPTH	10.4 ft in	3175 mm
MAX REACH ALONG GROUND	16.8 ft in	5130.8 mm
MAX CUTTING HEIGHT	16.3 ft in	4953 mm
MAX LOADING HEIGHT	11.6 ft in	3530.6 mm
MAX VERTICAL WALL DIGGING DEPTH	7.8 ft in	2387.5 mm
Dimensions		
WIDTH TO OUTSIDE OF TRACKS	5.1 ft in	1549.4 mm
HEIGHT TO TOP OF CAB	ft in	mm
GROUND CLEARANCE	0.97 ft in	294.6 mm