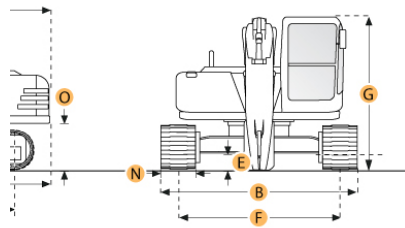
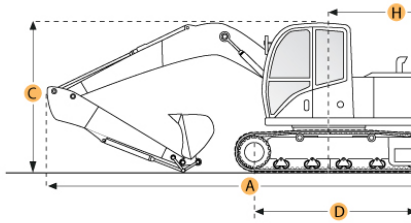


## VOLVO EC290BLC HYDRAULIC EXCAVATOR



### Boom/Stick Option

Boom/Stick Option (HEX) 1 ▾

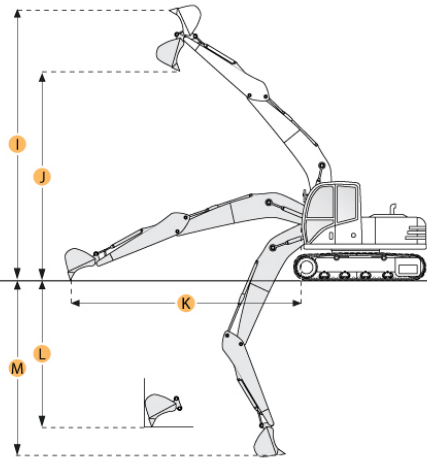
A. SHIPPING LENGTH OF UNIT	34.4 ft in	10480 mm
C. SHIPPING HEIGHT OF UNIT	11.3 ft in	3430 mm
I. MAX CUTTING HEIGHT	31.6 ft in	9620 mm
J. MAX LOADING HEIGHT	21.9 ft in	6690 mm
K. MAX REACH ALONG GROUND	32.6 ft in	9950 mm
L. MAX VERTICAL WALL DIGGING DEPTH	17.8 ft in	5440 mm
M. MAX DIGGING DEPTH	22.4 ft in	6830 mm

### Dimensions

B. WIDTH TO OUTSIDE OF TRACKS	10.5 ft in	3190 mm
D. LENGTH OF TRACK ON GROUND	13.2 ft in	4015 mm
E. GROUND CLEARANCE	1.6 ft in	480 mm
G. HEIGHT TO TOP OF CAB	9.9 ft in	3030 mm
H. TAIL SWING RADIUS	9.7 ft in	2970 mm
O. COUNTERWEIGHT CLEARANCE	3.8 ft in	1145 mm

### Undercarriage

F. TRACK GAUGE	8.5 ft in	2590 mm
N. SHOE SIZE	23.6 in	600 mm



## VOLVO EC290BLC HYDRAULIC EXCAVATOR

### Specification



<b>Engine</b>		
MAKE	Volvo	
MODEL	D7D ECE2	
GROSS POWER	153 hp	114.1 kw
NET POWER	143 hp	106.6 kw
POWER MEASURED @	1900 rpm	
DISPLACEMENT	433.3 cu in	7.1 L
TORQUE MEASURED @	1400 rpm	
MAX TORQUE	693.3 lb ft	940 Nm
NUMBER OF CYLINDERS	6	
ASPIRATION	Turbocharged	
<b>Operational</b>		
OPERATING WEIGHT	63522 lb	28813.1 kg
FUEL CAPACITY	124.2 gal	470 L
COOLING SYSTEM FLUID CAPACITY	11.6 gal	44 L
HYDRAULIC SYSTEM FLUID CAPACITY	105.7 gal	400 L
ENGINE OIL CAPACITY	8.5 gal	32 L
SWING DRIVE FLUID CAPACITY	2.9 gal	11 L
OPERATING VOLTAGE	24 V	
ALTERNATOR SUPPLIED AMPERAGE	80 amps	
HYDRAULIC SYSTEM RELIEF VALVE PRESSURE	4974.8 psi	34300 kPa
HYDRAULIC PUMP FLOW CAPACITY	132.1 gal/min	500 L/min
<b>Swing Mechanism</b>		
SWING SPEED	10.2 rpm	
<b>Undercarriage</b>		
NUMBER OF SHOES PER SIDE	50	
SHOE SIZE	23.6 in	600 mm
NUMBER OF CARRIER ROLLERS PER SIDE	9	
NUMBER OF TRACK ROLLERS PER SIDE	2	
GROUND PRESSURE	7.8 psi	53.9 kPa
MAX TRAVEL SPEED	3.2 mph	5.2 km/h
TRACK GAUGE	8.5 ft in	2590 mm
<b>Buckets</b>		
REFERENCE BUCKET CAPACITY	1.6 yd <sup>3</sup>	1.2 m <sup>3</sup>
MINIMUM BUCKET CAPACITY	1.6 yd <sup>3</sup>	1.2 m <sup>3</sup>
MAXIMUM BUCKET CAPACITY	2.7 yd <sup>3</sup>	2.1 m <sup>3</sup>
<b>Boom/Stick Option (HEX) 1</b>		
BOOM/STICK OPTION (HEX) 1	Monoblock Boom 6200mm / Stick 2550mm	
SHIPPING HEIGHT OF UNIT	11.3 ft in	3430 mm
SHIPPING LENGTH OF UNIT	34.4 ft in	10480 mm
MAX DIGGING DEPTH	22.4 ft in	6830 mm
MAX REACH ALONG GROUND	32.6 ft in	9950 mm
MAX CUTTING HEIGHT	31.6 ft in	9620 mm
MAX LOADING HEIGHT	21.9 ft in	6690 mm
MAX VERTICAL WALL DIGGING DEPTH	17.8 ft in	5440 mm
<b>Boom/Stick Option (HEX) 2</b>		
BOOM/STICK OPTION (HEX) 2	Monoblock Boom 6200mm / Stick 3050mm	
SHIPPING HEIGHT OF UNIT	10.8 ft in	3290 mm
SHIPPING LENGTH OF UNIT	34.1 ft in	10400 mm
MAX DIGGING DEPTH	24 ft in	7320 mm
MAX REACH ALONG GROUND	34.4 ft in	10490 mm
MAX CUTTING HEIGHT	32.9 ft in	10040 mm
MAX LOADING HEIGHT	23.1 ft in	7050 mm
MAX VERTICAL WALL DIGGING DEPTH	20.3 ft in	6200 mm
<b>Boom/Stick Option (HEX) 3</b>		
BOOM/STICK OPTION (HEX) 3	Monoblock Boom 6200mm / Stick 4000mm	
SHIPPING HEIGHT OF UNIT	12.1 ft in	3680 mm
SHIPPING LENGTH OF UNIT	34.3 ft in	10440 mm
MAX DIGGING DEPTH	27.2 ft in	8280 mm
MAX REACH ALONG GROUND	37.4 ft in	11400 mm
MAX CUTTING HEIGHT	34.3 ft in	10460 mm
MAX LOADING HEIGHT	24.5 ft in	7470 mm
MAX VERTICAL WALL DIGGING DEPTH	23.3 ft in	7110 mm
<b>Boom/Stick Option (HEX) 4</b>		
BOOM/STICK OPTION (HEX) 4	2-Piece Boom 6200mm / Stick 2550mm	
SHIPPING HEIGHT OF UNIT	11 ft in	3360 mm
SHIPPING LENGTH OF UNIT	34.4 ft in	10480 mm
MAX DIGGING DEPTH	20.3 ft in	6200 mm

MAX REACH ALONG GROUND	32.9 ft in	10020 mm
MAX CUTTING HEIGHT	37.9 ft in	11550 mm
MAX LOADING HEIGHT	27.5 ft in	8370 mm
MAX VERTICAL WALL DIG DEPTH	14.9 ft in	4530 mm

**Boom/Stick Option (HEX) 5**

BOOM/STICK OPTION (HEX) 5	2-Piece Boom 6200mm / Stick 3050mm	
SHIPPING HEIGHT OF UNIT	10.8 ft in	3300 mm
SHIPPING LENGTH OF UNIT	34.2 ft in	10430 mm
MAX DIGGING DEPTH	22 ft in	6720 mm
MAX REACH ALONG GROUND	34.6 ft in	10560 mm
MAX CUTTING HEIGHT	39.5 ft in	12050 mm
MAX LOADING HEIGHT	29.1 ft in	8860 mm
MAX VERTICAL WALL DIG DEPTH	18.5 ft in	5640 mm

**Boom/Stick Option (HEX) 6**

BOOM/STICK OPTION (HEX) 6	2-Piece Boom 6200mm / Stick 4000mm	
SHIPPING HEIGHT OF UNIT	12.2 ft in	3730 mm
SHIPPING LENGTH OF UNIT	34.1 ft in	10400 mm
MAX DIGGING DEPTH	25.1 ft in	7660 mm
MAX REACH ALONG GROUND	37.7 ft in	11480 mm
MAX CUTTING HEIGHT	42 ft in	12790 mm
MAX LOADING HEIGHT	31.5 ft in	9600 mm
MAX VERTICAL WALL DIG DEPTH	21.5 ft in	6550 mm

**Dimensions**

WIDTH TO OUTSIDE OF TRACKS	10.5 ft in	3190 mm
HEIGHT TO TOP OF CAB	9.9 ft in	3030 mm
GROUND CLEARANCE	1.6 ft in	480 mm
COUNTERWEIGHT CLEARANCE	3.8 ft in	1145 mm
TAIL SWING RADIUS	9.7 ft in	2970 mm
LENGTH OF TRACK ON GROUND	13.2 ft in	4015 mm